
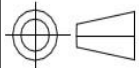
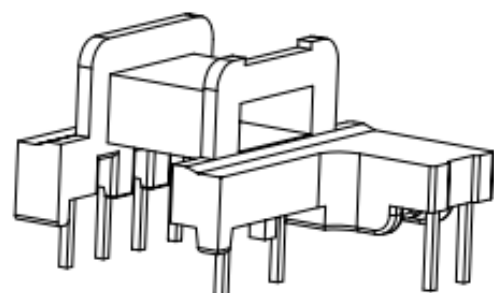
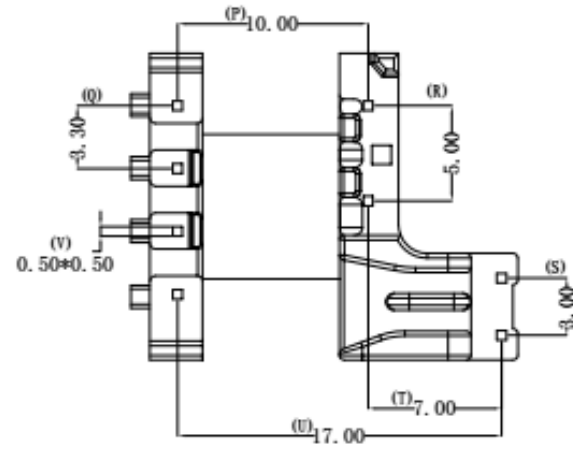
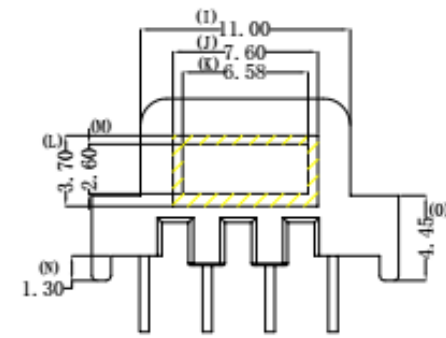
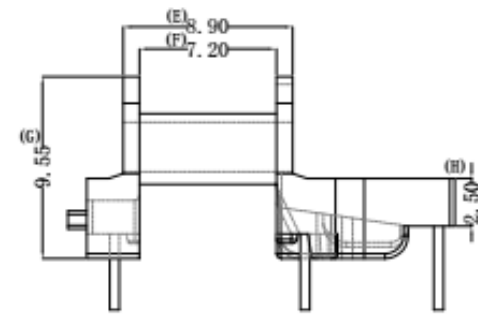
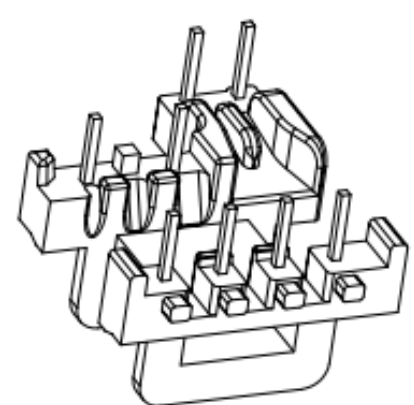
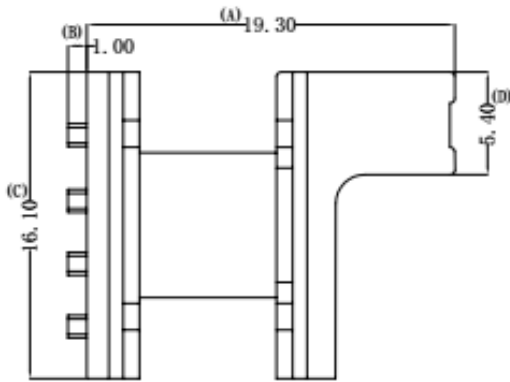

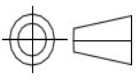
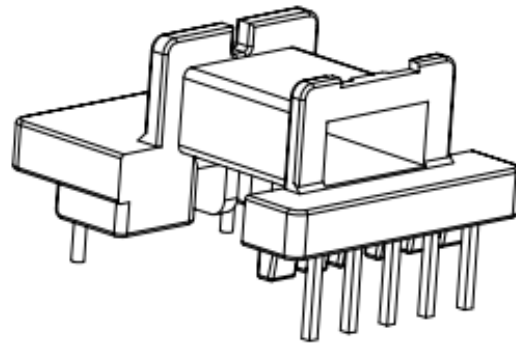
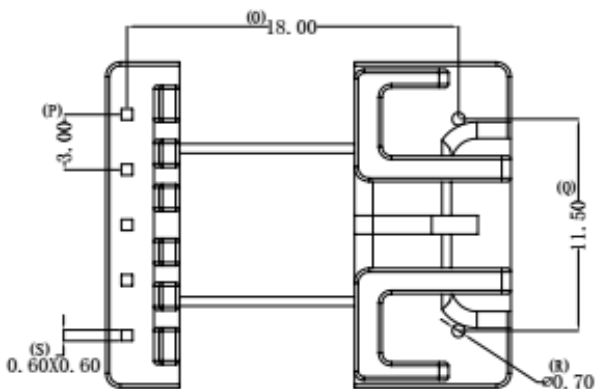
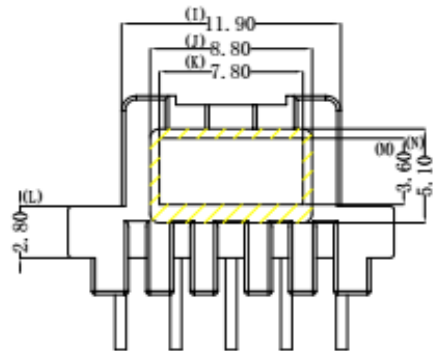
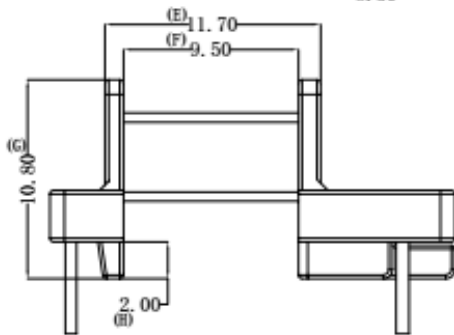
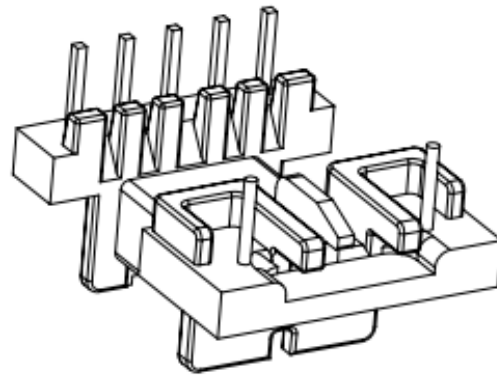
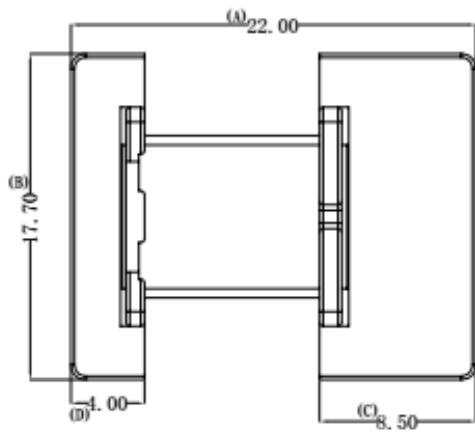

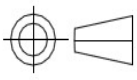


DRAFTED BY	TianXipeng	TOLERANCE		ANGLR: ±1°	MODEL NAME: EM-1505 (4+3+2) PIN		
CHECKED BY	Jack Wang	0<L≤4 ±0.1 4<L≤16 ±0.2 16<L≤63 ±0.3	Pin pitch ±0.20	UNIT:MM	MATERIAL: PHENOLIC	UL REC: UL 94V-0	
 SHANHOM SHAANXI SHINHOM ENTERPRISE CO.,LTD TEL: 029-87851838 FAX:029-87851840 Email: sales@shinhom.com.cn				SCALE: 1/1	TERMINAL MAT:CP WIRE	PIN TENSION LOAD: 1.0 KGS MIN	
					DATE: 2016.07.30	DRAWING NO:	REV. A



DRAFTED BY	TianXipeng	TOLERANCE		ANGLR: ±1°	MODEL NAME: EM-15H (4+2+2) PIN		
CHECKED BY	Jack Wang	0<L≤4 ±0.1 4<L≤16 ±0.2 16<L≤63 ±0.3	Pin pitch ±0.20	UNIT:MM	MATERIAL: PHENOLIC	UL REC: UL 94V-0	
 SHAANXI SHINHOM ENTERPRISE CO.,LTD TEL: 029-87851838 FAX:029-87851840 Email: sales@shinhom.com.cn				SCALE: 1/1	TERMINAL MAT:CP WIRE	PIN TENSION LOAD: 1.0 KGS MIN	
					DATE: 2016.07.30	DRAWING NO:	REV. A



DRAFTED BY	TianXipeng	TOLERANCE		ANGLR: ±1°	MODEL NAME: EM-18H (5+2) PIN		
CHECKED BY	Jack Wang	0 < L ≤ 4 ±0.1 4 < L ≤ 16 ±0.2 16 < L ≤ 63 ±0.3	Pin pitch ±0.20	UNIT:MM	MATERIAL: PHENOLIC	UL REC: UL 94V-0	
 SHANHOM ENTERPRISE CO.,LTD TEL: 029-87851838 FAX:029-87851840 Email: sales@shinhom.com.cn				SCALE: 1/1	TERMINAL MAT:CP WIRE	PIN TENSION LOAD: 1.0 KGS MIN	
					DATE: 2016.07.30	DRAWING NO:	REV. A